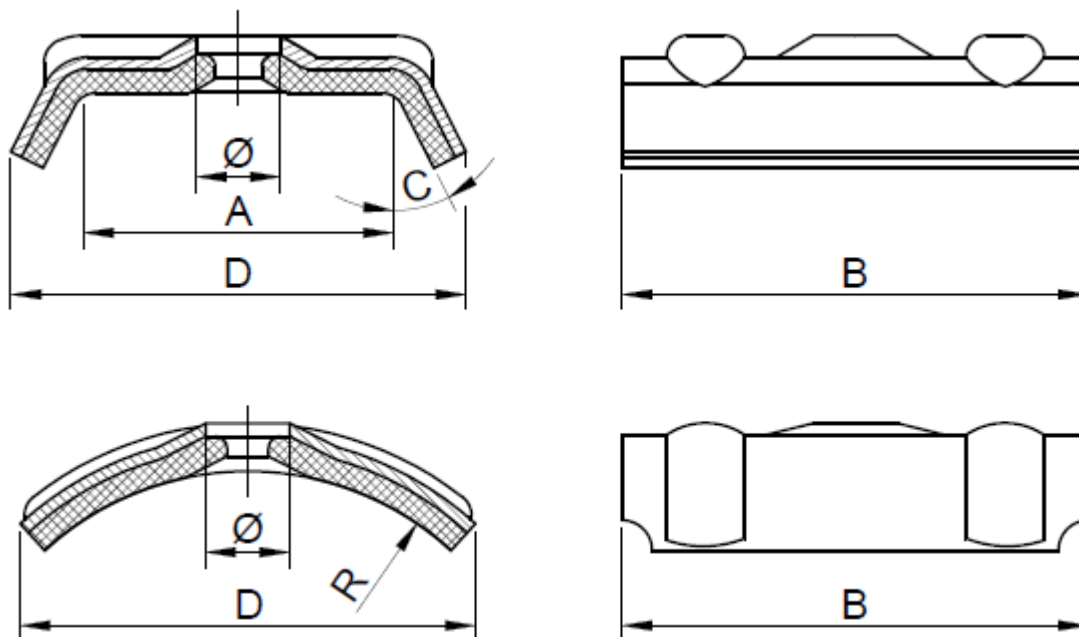


Aztec Saddle Washers Technical Performance Data Sheet



Dimensions:

Saddle washer	23-30	25-27	26-15	26-27	26-49	32-25	34-23	41-32	55-32	W25
Dimensions										
A [mm]	22,5-23,5	23,5-24,5	23,5-24,5	25,5-26,5	26-27	26,5-27,5	33,5-34,5	40,5-41,5	51-52	-
B [mm]	38-39	38-39	38-39	38-39	38-39	38-39	38-39	38-39	41-42	38-39
C [°]	27-33	27-33	11-19	23-31	46-54	23-31	20-28	24-39	38-36	-
D [mm]	36-37	37-38	34-35	38-39	41-43	40-41	46-47	56-57	68-69	37-39
Ø [mm]	6,5-7,5	6,5-7,5	6,5-7,5	6,5-7,5	6,5-7,5	6,5-7,5	6,5-7,5	6,5-7,5	6,5-7,5	6,5-7,5
R [mm]	-	-	-	-	-	-	-	-	-	24-26

Body material: Aluminium 1100

Mechanical Properties	Value
Tensile strength	180 MPa
Yield strength	155 MPa
Elongation	3%

Sealing material: Black EPDM, Hardness 50-55 Sh

Mechanical Properties	Value
Tensile strength	4,36 MPa
Elongation	450%
Thickness	~2 mm
Reaction to translucent sheets*	No reaction

Coating: Polyester Powder Paint, TGIC free

Properties	Value
Painting method	Triboelectric
Thickness	60 -120 µm
Bending test	6 mm (ac. ISO 1519)
Color	RAL, NCS, BS, RAL DESIGN, RR, special effects, structure, different gloss level

* Tested on material:

- Polyvinyl chloride (PCV)
- Polycarbonate (PC)
- Acrylic (PMMA)

All values mentioned above are ultimate failure loads and do not contain any safety factors.